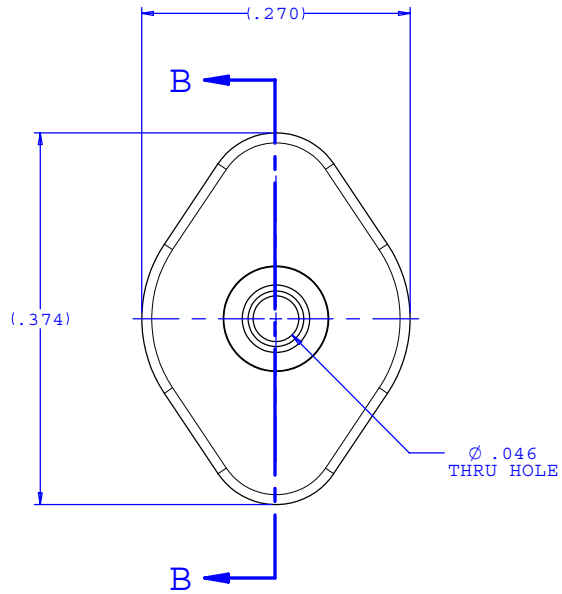
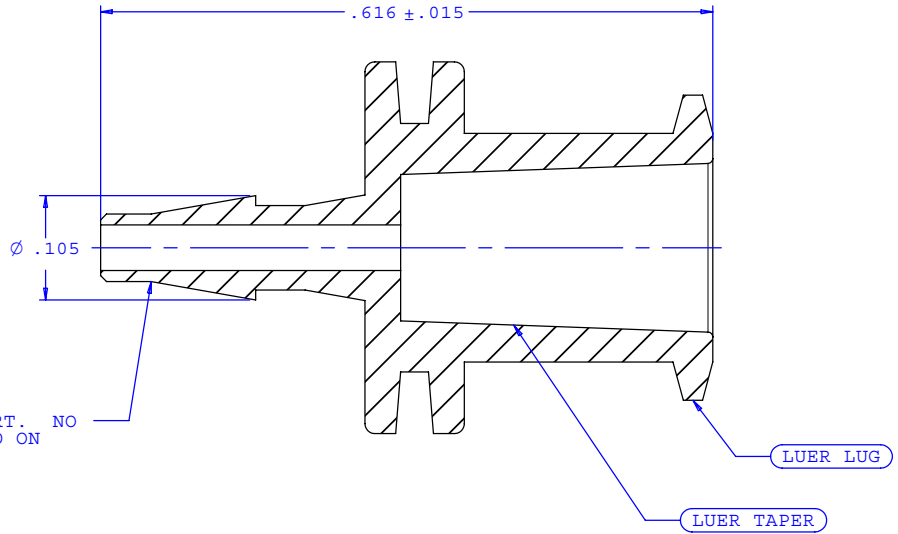


NOTE: FOR MORE DETAILS SEE YOUR V.P.CUSTOMER SERVICE REP.

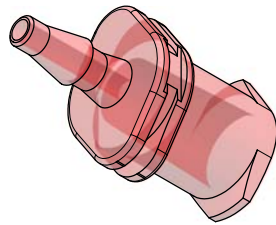
REVISIONS			
REV.	DESCRIPTION	DATE	APPROVED
A	INITIAL RELEASE	07-29-97	
B	CO 013 Drafting Update	05-02-05	Rick C.



INSTRUMENT QUALITY PART. NO PARTING LINE PERMITTED ON THIS CONICAL SURFACE



SECTION B-B



UNLESS OTHERWISE SPECIFIED DIMENSIONS ARE IN INCHES TOLERANCES ARE:		VALUE PLASTICS, INC.	
FRACTIONS ±	DECIMALS ±	ANGULAR ±1°	PART NUMBER: FTL10
.XX ±.01	.XXX ±.005	.XXXX ±.001	DESCRIPTION: Female Luer Lug Style to Classic Series Barb, 1/16" (1.5 mm) ID Tubing
DO NOT SCALE DRAWING			SIZE: B SCALE: NTS DRAWING NUMBER: 1005584 REV. B
DRAWN BY: Frank Lombardi	DATE: 4-18-05	© 2004 VALUE PLASTICS, INC. SHEET: 1 OF 1	
Engineer Manager: Rick Cairns			

FOR REFERENCE ONLY